

Osmeo Easy 4''

1800 to 4 500 L/h



MEMBRANE SEPARATION PROCESS

REVERSE OSMOSIS

EASY 4'' RO SYSTEM

Result of many years of experience, the **Osmeo** range combines compactness, ease of use and high treatment performance.

Equipped with low energy 4'' reverse osmosis membranes, the **Osmeo Easy 4''** RO systems are managed by an electronic controller which monitors the safety systems and the automatic filling of the permeate tank.

As an option, the Osmeo RO systems can be integrated on a stainless steel



skid together with a pretreatment adapted to the raw water specifications (pre-filtration, softening, chemical conditioning, dechlorination...)

An independent Clean-In-Place (CIP) equipment can be proposed.



APPLICATIONS

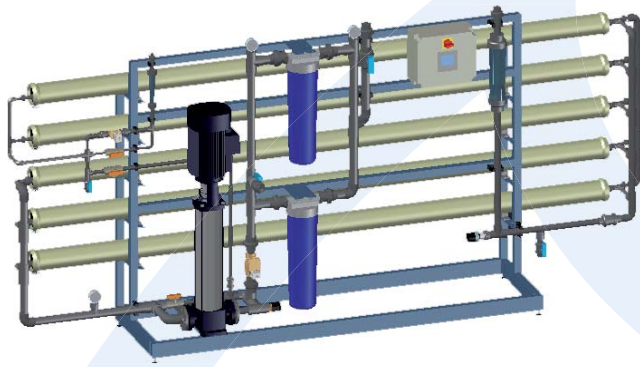
The Osmeo range is designed to supply reverse osmosis water for the following applications :

- low pressure boilers,
- professional laundries,
- laboratories, cosmetics,
- car wash,
- any application requiring RO water.

SPECIFICATIONS

- 1 μ pre-filtration with isolating valve and upstream/downstream pressure gauges.
- Inlet solenoid valve.
- Adjustable low inlet pressure switch.
- Multi-stage vertical pump.
- Valve to adjust the service pressure.
- Fiberglass membrane housings.
- Low energy 4'' Membranes.
- Conductivity probe.
- Scaled flow control valve for the recirculation of the concentrate.
- Flush solenoid valve.
- Flowmeter on the permeate line.
- Flowmeter on the concentrate line.
- Sampling on permeate.
- Automatism with LCD Osmeo Control screen.
- Electrical enclosure 400V+T+N.
- CIP connection.

Osmeo Easy 4''



OPERATING PARAMETERS

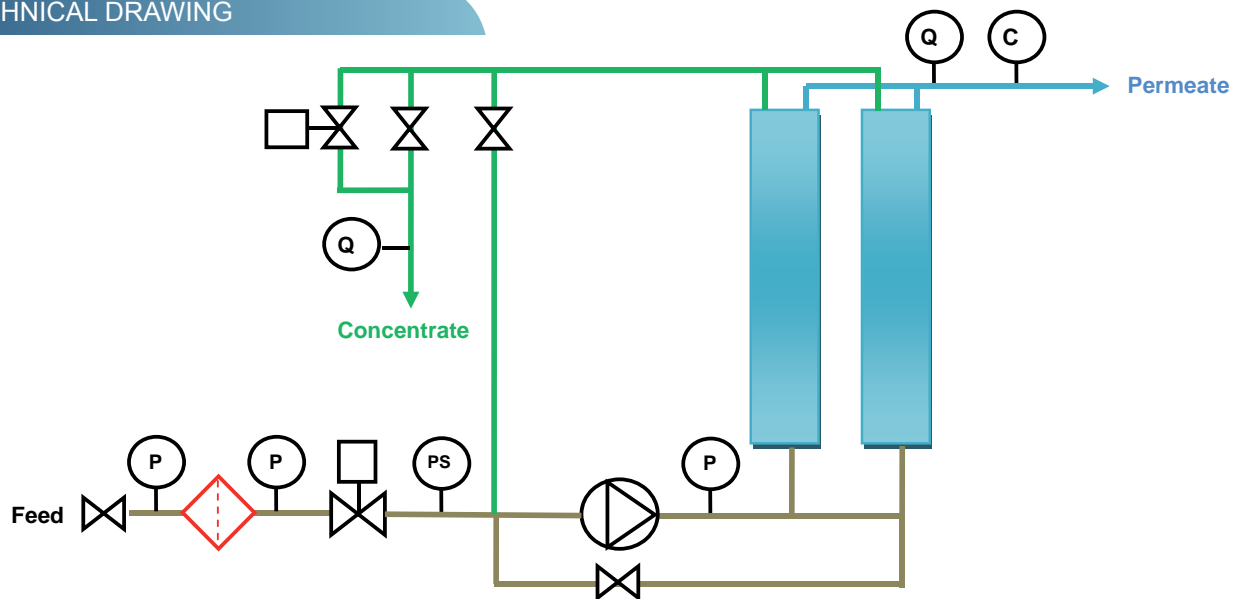
Feed pressure min/max	2 / 5 bars
Maximum temperature	37°C
TDS max	< 2000 ppm
Iron+Manganese concentration	< 0.1 ppm
SDI15 (fouling index)	< 3
Organic matter	< 3 ppm
Free chlorine	< 0.1 ppm
Minimum rejection	99.1%

TECHNICAL DATA

MODEL	Osmeo 1800	Osmeo 2700	Osmeo 3000	Osmeo 3500	Osmeo 4500
Permeate flow rate at 15°C for 500 ppm (L/h) *	1800	2700	3000	3500	4500
Concentrate flow rate (L/h)	600	900	1000	1170	1500
Feed flow rate (L/h)	2400	3600	4000	4670	6000
Recovery	75%	75%	75%	75%	75%
Number of membranes	6	9	10	12	15
Service pressure (bar)	11	11	11	11	11
Permeate counter pressure (bar)	0.5	0.5	0.5	0.5	0.5
Power (kW)	3	3	4	4	4
Electrical supply	3x400V + Ground + Neutral				
Connection DN (mm) Feed/Permeate/Drain	25/20/15	32/25/15	32/25/15	32/25/15	40/32/15
Dimensions (mm)					
Length	3600	3600	2600	3600	3600
Depth	600	600	600	600	600
Height	1800	1800	1800	1800	1800

* The permeate flow rate varies with the water temperature, approximately 3% per °C.

TECHNICAL DRAWING



DELTAPORE SYSTEMS

Mobile : +31 6 53 39 53 17

Email : info@deltapore.com

Web site : www.deltapore.com