

# Osmeo Elite 8''

3 000 to 10 000 L/h



## MEMBRANE SEPARATION PROCESS

### REVERSE OSMOSIS

### ELITE 8'' RO SYSTEM

Result of many years of experience, the **Osmeo** range combines compactness, ease of use and high treatment performance.

Equipped with low energy 8'' reverse osmosis membranes, the **Osmeo Elite** RO systems are controlled by a PLC with colour touchscreen and an intuitive menu allowing the adjustment of all the operating parameters. The critical parameters such as the conductivity and the flow rates are distinctly displayed together with adjustable alarm thresholds.



As an option, the **Osmeo Elite** RO systems can be completed with a pretreatment integrated on a stainless steel skid and adapted to the raw water specifications (pre-

filtration, softening, chemical conditioning, dechlorination...)

An independent Clean-In-Place (CIP) equipment can be proposed.



## APPLICATIONS

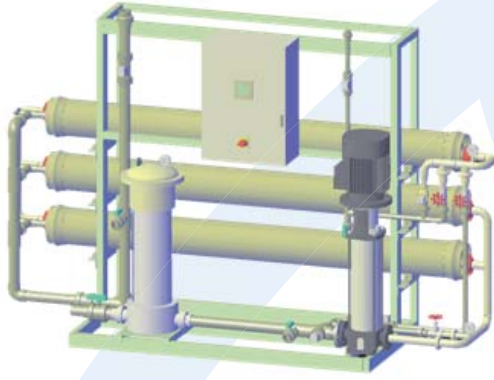
The Osmeo range is designed to supply reverse osmosis water for the following applications :

- low pressure boilers,
- professional laundries,
- laboratories, cosmetics,
- car wash,
- any application requiring RO water.

## SPECIFICATIONS

- 1µ pre-filtration with isolating valve and upstream/downstream pressure gauges.
- Inlet solenoid valve.
- Adjustable low inlet pressure switch.
- Multi-stage vertical pump.
- Valve to adjust the service pressure with pressure gauge.
- Fiberglass membrane housings.
- Low energy 8'' Membranes.
- Conductivity probe.
- Stainless Steel concentrate globe valve.
- Stainless Steel recirculation globe valve.
- Flush solenoid valve.
- Impulse turbine to measure the permeate flow rate.
- Impulse turbine to measure the concentrate and recirculation flow rates.
- PVC Connection valve for the CIP.
- PLC with colour touchscreen 3'' 1/2.
- Electrical enclosure 400V+GND.

# Osmeo Elite 8''



## OPERATING PARAMETERS

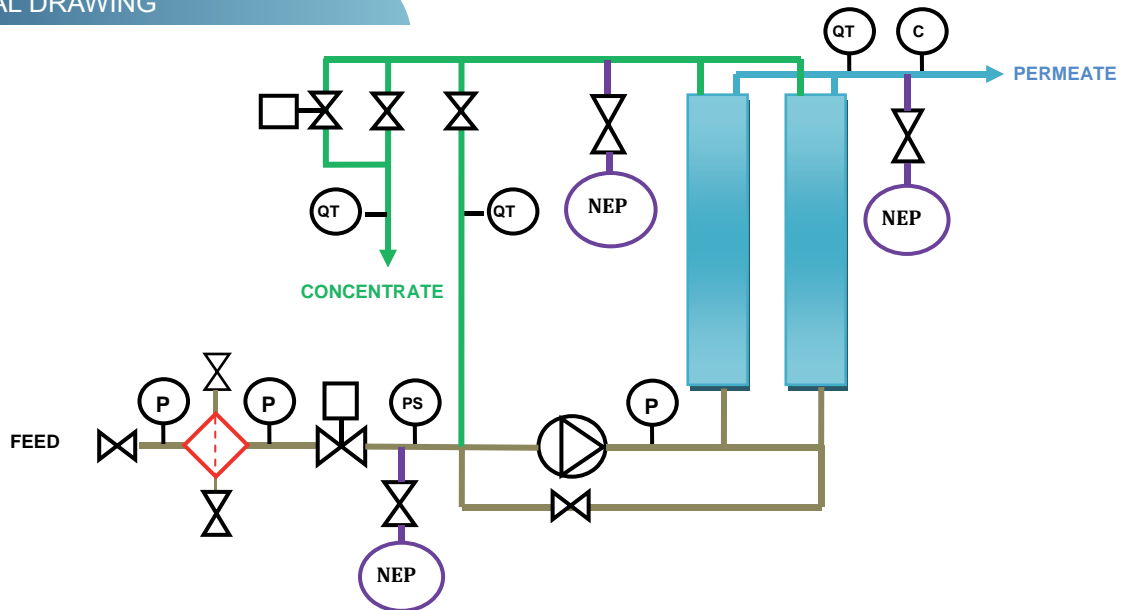
Feed pressure min/max	2 / 5 bars
Maximum temperature	37°C
TDS max	< 2000 ppm
Iron+Manganese concentration	< 0.1ppm
SDI15 (fouling index)	< 3
Organic matter	< 3 ppm
Free chlorine	< 0.1ppm
Minimum rejection	99.1%

## TECHNICAL DATA

MODEL	Osmeo 3000	Osmeo 4000	Osmeo 5500	Osmeo 7500	Osmeo 10000
Permeate flow rate at 15°C for 500 ppm (L/h) *	3000	4000	5500	7500	10000
Concentrate flow rate (L/h)	1000	1333	1833	2500	3333
Feed flow rate (L/h)	4000	5333	7333	10000	13333
Recovery	75%	75%	75%	75%	75%
Number of membranes	2	3	4	6	8
Service pressure (bar)	13	12	12	12	12
Permeate counter pressure (bar)	0.5	0.5	0.5	0.5	0.5
Power (kW)	5.5	5.5	5.5	7.5	11
Electrical supply	3x400V + GND				
Connection DN(mm) Feed/Permeate/Drain	40/25/15	40/32/15	40/32/20	50/40/25	50/50/25
<b>Dimensions (mm)</b>					
Length	3000	3000	3000	3000	3000
Depth	1000	1000	1000	1000	1000
Height	2100	2100	2100	2100	2100

\* The permeate flow rate varies with the water temperature, approximately 3% per °C.

## TECHNICAL DRAWING



DELTAPORE SYSTEMS

Mobile : +31 6 53 39 53 17

Email : info@deltapore.com

Web site : www.deltapore.com